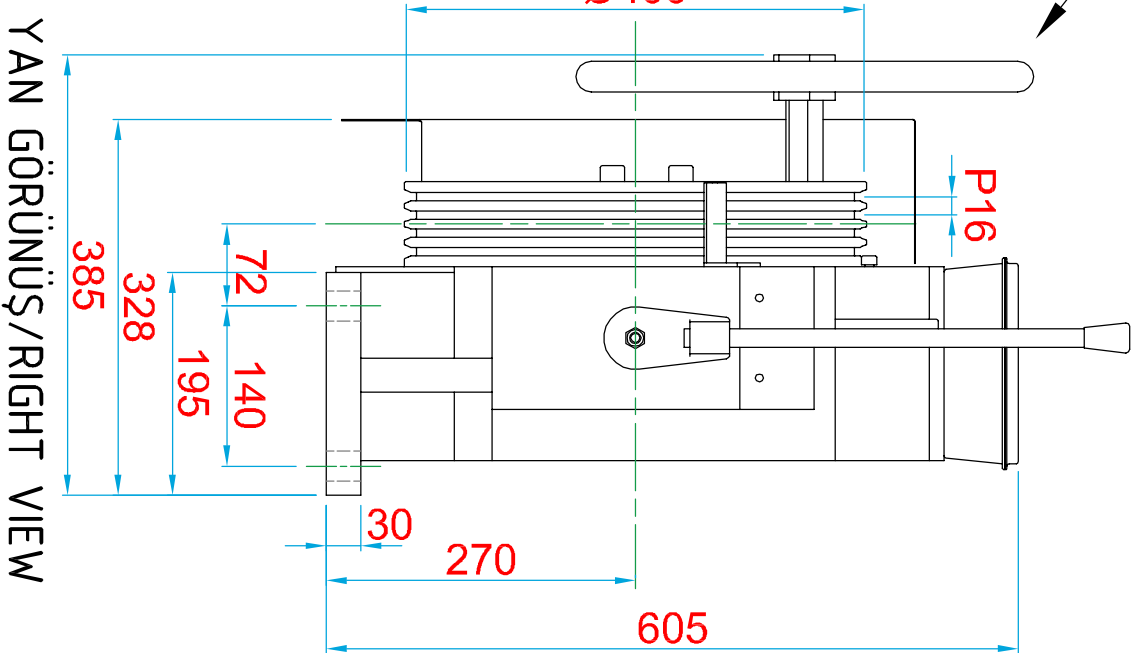
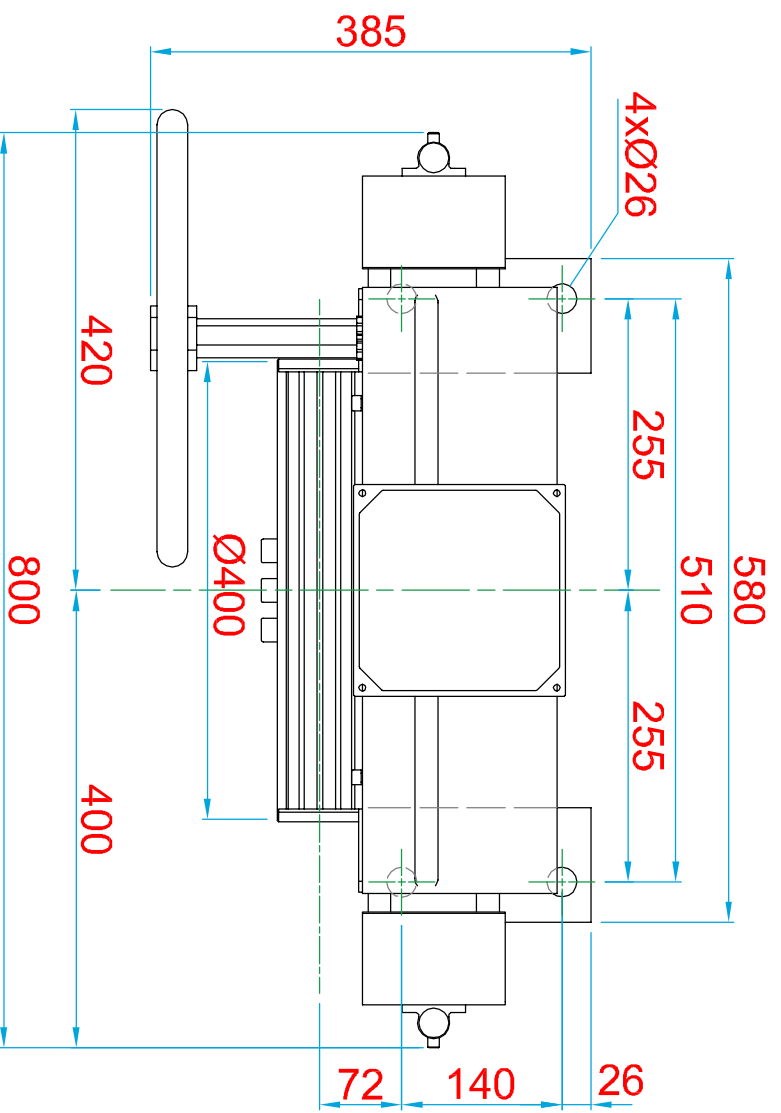


ÖN GÖRÜNÜŞ / FRONT VIEW



YAN GÖRÜNÜŞ / RIGHT VIEW



ÜST GÖRÜNÜŞ / TOP VIEW

KURTARMA VOLANI / HANDWHEEL



KOLMAR

ASANSÖR SANAYİ VE TİCARET ANONİM ŞİRKETİ

Tel: +90 (216) 661 55 67
info@kolmar.com.tr
www.kolmar.com.tr

MODEL : WYT-T1.0A_450kg_Ø400_4xØ10_P16 HIZ/Speed : 1 & 1.6 m/s

MODEL : WYT-T1.6A_450kg_Ø400_4xØ10_P16

MODEL : WYT-T1.0B_630kg_Ø400_4xØ10_P16 HIZ/Speed : 1 & 1.6 & 2.0 m/s

MODEL : WYT-T1.6B_630kg_Ø400_4xØ10_P16

MODEL : WYT-T2.0B_630kg_Ø400_4xØ10_P16

Kapasite/Capacity : 450 - 630 kg

Kasnak/Groove : Ø400; 4xØ10; P16